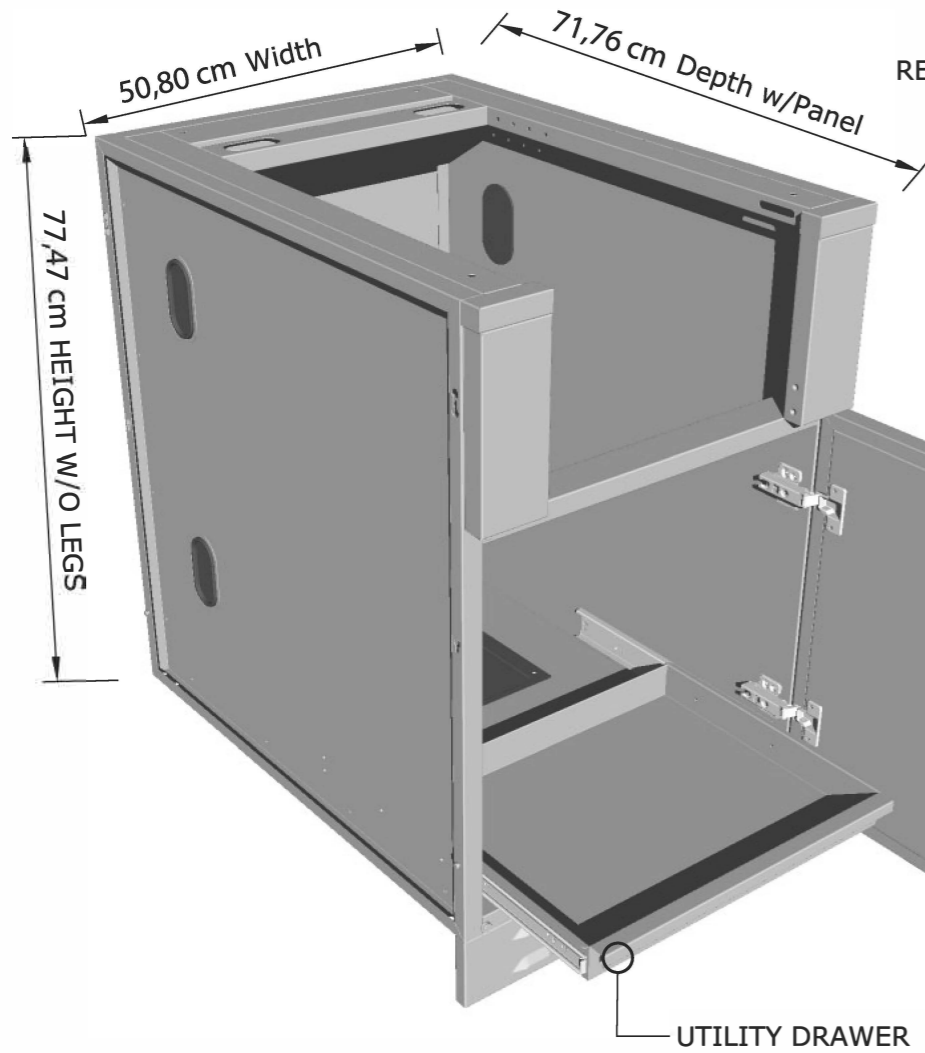
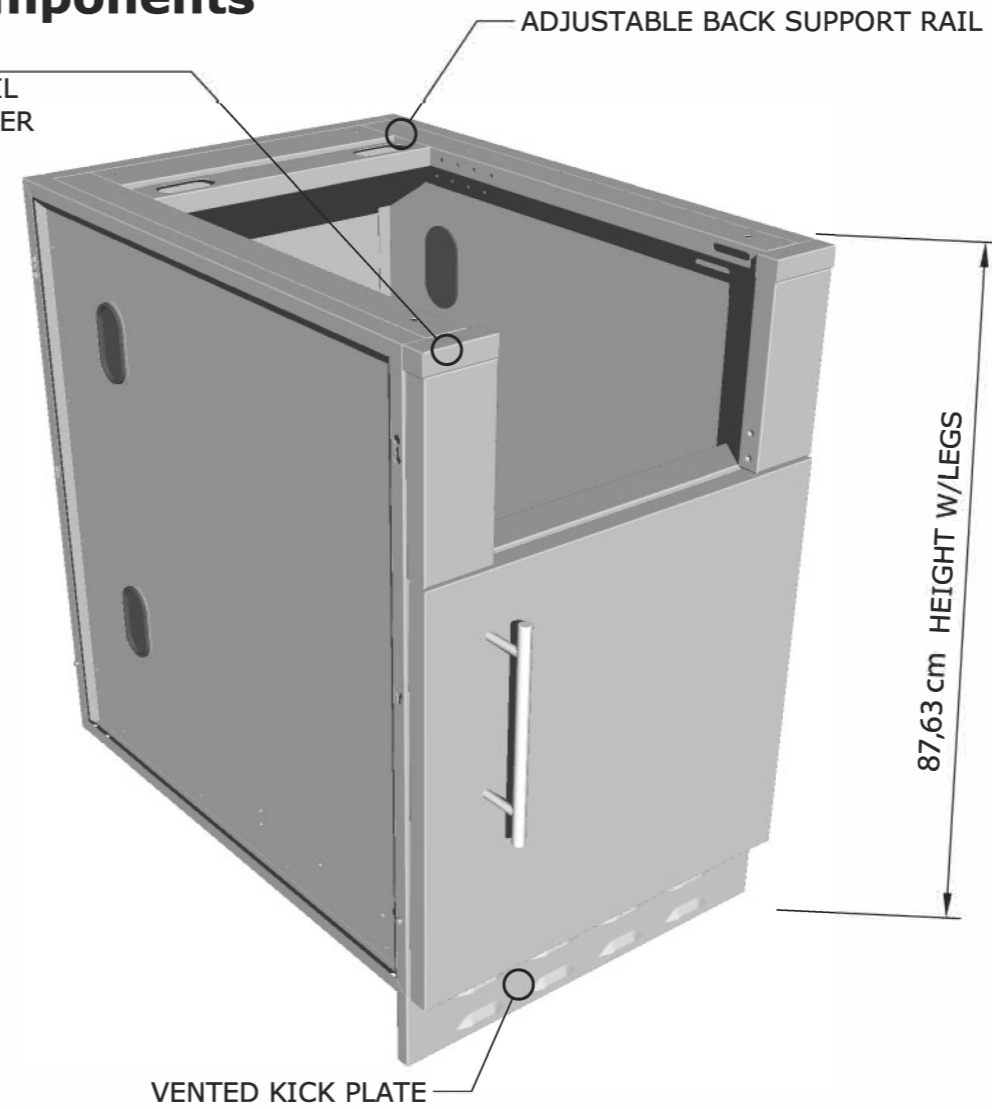


Product Dimensions

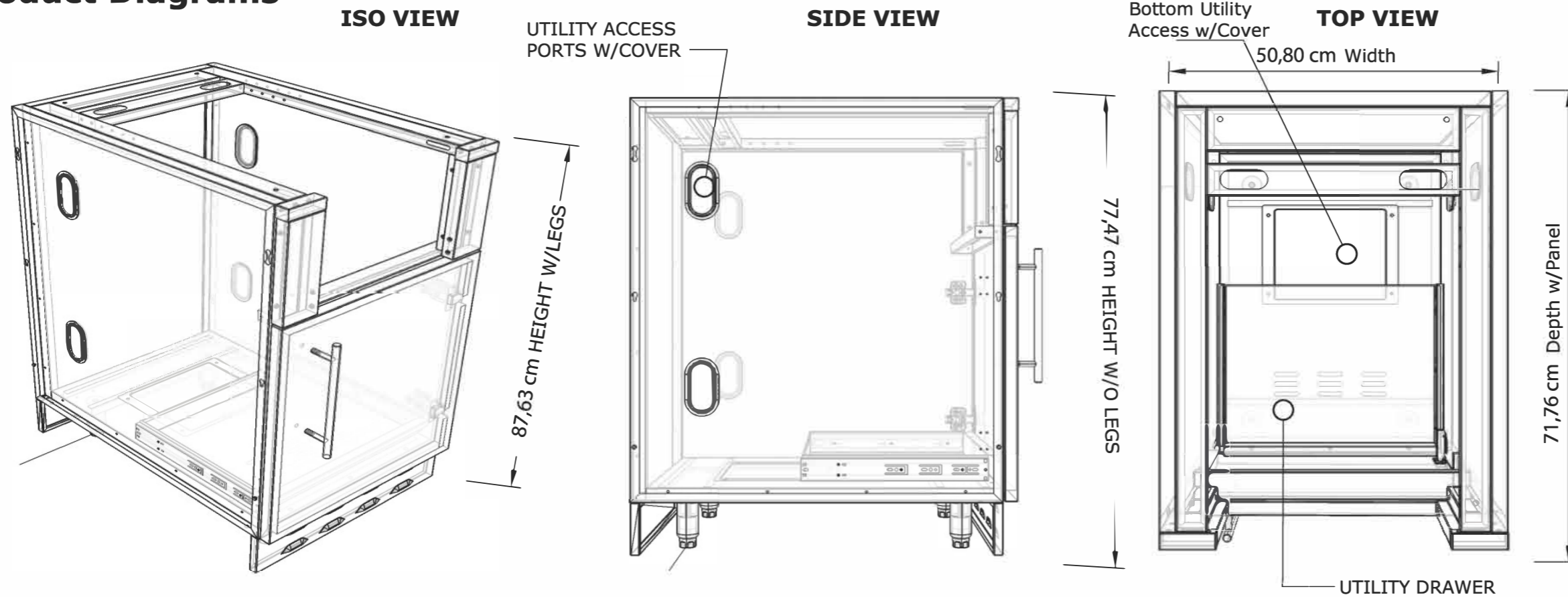


Product Components

REMOVABLE 2,54 cm- COUNTER RAIL
ALLOWS COUNTER TO BE EITHER
BULLNOSE OR BEVEL EDGE



Product Diagrams



Av. Combatentes do Ultramar, 184
2715-7766 Lameiras, Sintra, Portugal
Tel. (+351) 214 915 361/2
Email: info@sunstoneoutdoorkitchens.com

PRODUCT

Appliance Cabinet w/ Right
Swing Door for Item No.2CSB

Item No. SAC20CSDR

DESCRIPTION

Appliance Cabinet w/ Right Swing
door for Item No.2CSB. & B-CS14 &
A-CS14

- Lifetime Structure Warranty
- 304 Stainless Steel Structure
- 304 SS Rod Handles
- Front & Back Kick-Plates
- Easy Pin-Lock Installation
- Soft-Close Drawer Tracks
- Covered Access Ports
- Adjustable Peg-Legs
- Optional Wheel Casters

INCLUDED COMPONENTS

- Front Vented Kick Plate
- Back Solid Kick Plate
- (4) Adjustable Peg Legs
- Trim-Kit - SCC20CTK3.25

PRODUCT DIMENSIONS

50,80 W x 71,75 D (w/Doors) x 87,63 H (w/Legs)
50,80 W x 71,75 D (w/Doors) x 77,47 (without Legs)
or Upto 91,44 cm Max Adjustable Height

INSERTABLE PRODUCTS

Cocktail Pro - B-CS14
Cocktail Station - A-CS14
Double Side Burner - 2CSB

(See next page Trim Kit Guide for
other insertable product Brands)

MATERIAL SPECS

304 Stainless Steel entire
structure, 18 Gauge for Door
Panel, 18 Gauge for Cabinet
Box, 18 Gauge for Shelf,
Handles are made of Solid 304
Stainless Steel Bar.